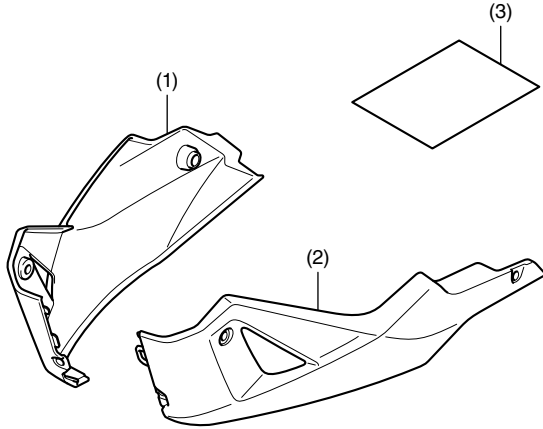


PARTS LIST



No.	Description	Qty
(1)	Right under cowl	1
(2)	Left under cowl	1
(3)	Installation instructions URL	1

TORQUE INFORMATION

Refer to the Service Manual for the torque values of the removed parts.

INSTALLATION

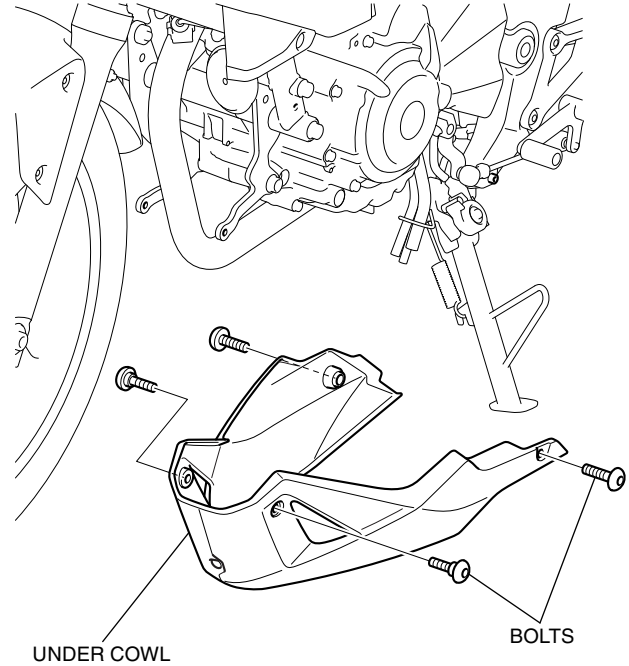
▲ CAUTION

- To prevent burns, allow the engine, exhaust system, radiator, etc., to cool before installing the accessory.

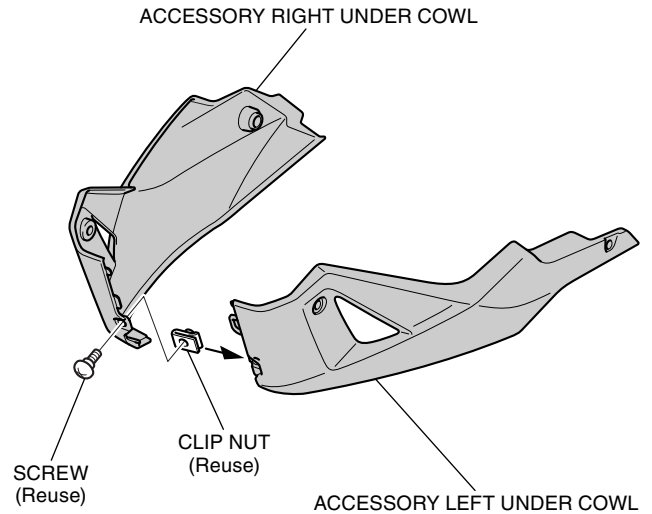
NOTE:

- Take care not to damage the painted surfaces of the motorcycle.

- Refer to the Service Manual for the motorcycle, remove the motorcycle parts.



- Replace the existing right and left under cowl with the accessory parts as shown.



- Install the under cowl in the reverse order of removal.