



INSTALLATION INSTRUCTIONS

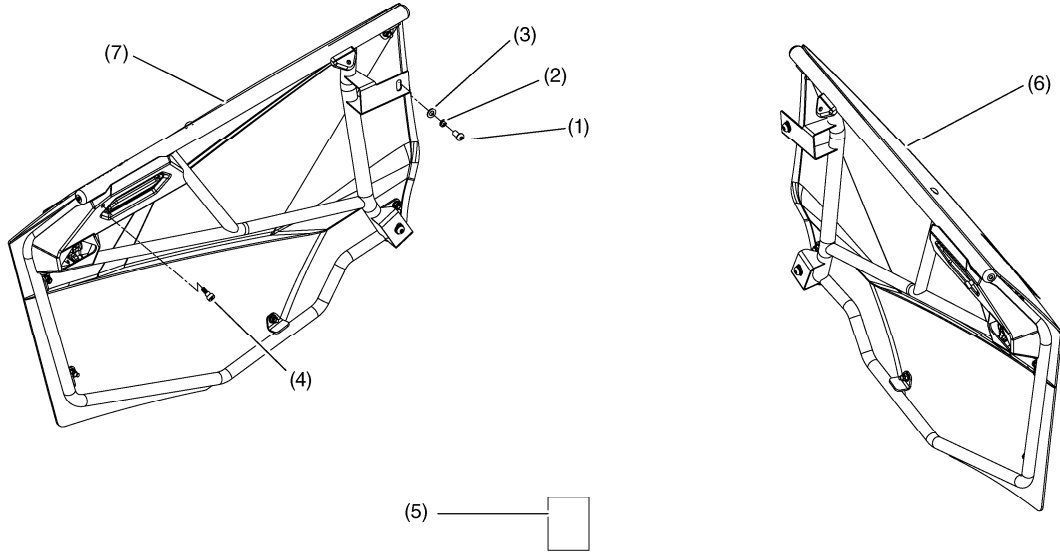
Accessory
ALUMINUM DOORS
 P/N OSA80-HL6-A00

Application
SXS1000S2X
SXS1000S2R
SXS1000S4
SXS1000S4D

Publication No.
MII 16561
 Issue Date
August 2019

Honda Dealer: Please give a copy of these instructions to your customer.

PARTS LIST



No.	Description	Qty
(1)	5 x 16 mm Button head bolt	4
(2)	Spring lock washer	4
(3)	Washer	4
(4)	4 x 18 mm Shoulder screw	2
(5)	Installation Instructions URL	1
(6)	Driver side Aluminum door	1
(7)	Passenger side Aluminum door	1

TORQUE CHART

Tighten all screws, bolts, and nuts to their specified torque values. Refer to the Service Manual for the torque values of the removed parts.

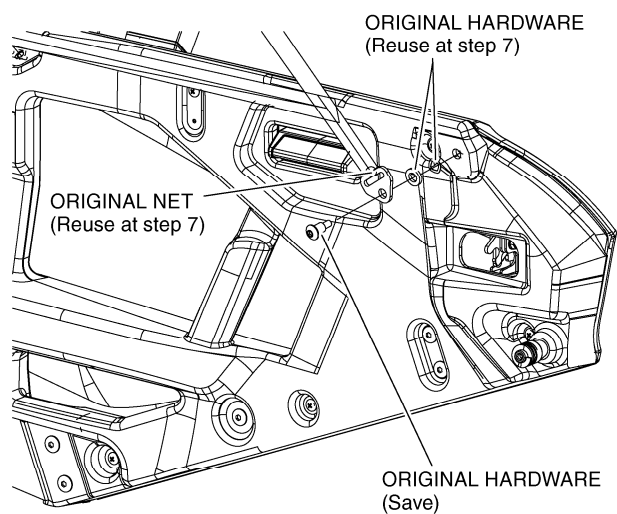
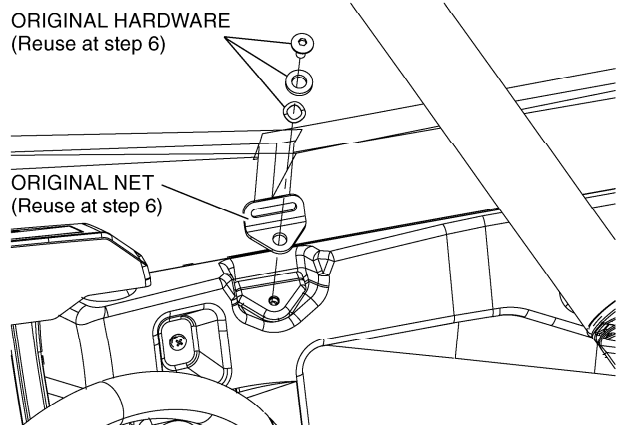
Item	N-m	kgf-m	lbf-ft
4 mm Shoulder screw	11	1.1	8.5
5 mm Button head bolt	28	2.9	20

TOOLS REQUIRED

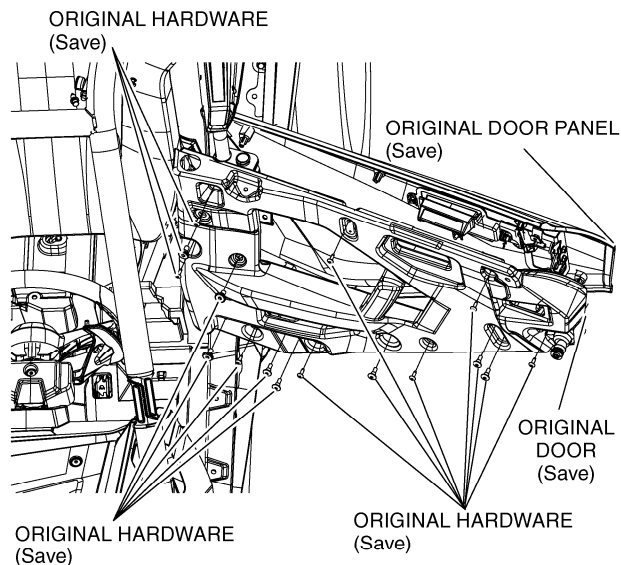
- Socket (12 mm)
- Ratchet
- Torque wrench
- 4 mm Socket Hex Wrench
- 5 mm Socket Hex Wrench
- 6 mm Socket Hex Wrench

INSTALLATION

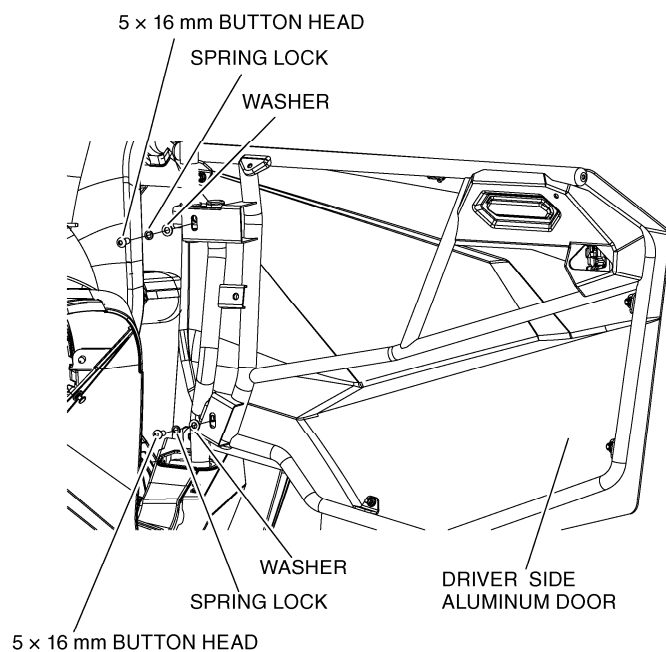
1. Remove driver side original net and hardware from original door. Save for reuse.



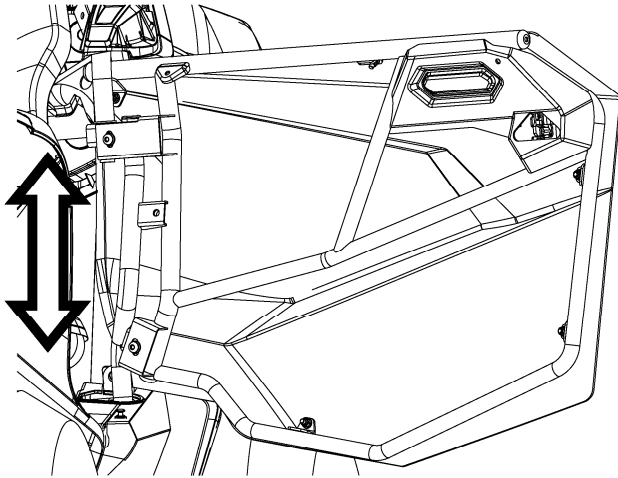
2. Remove original door and hardware. Save for reuse.



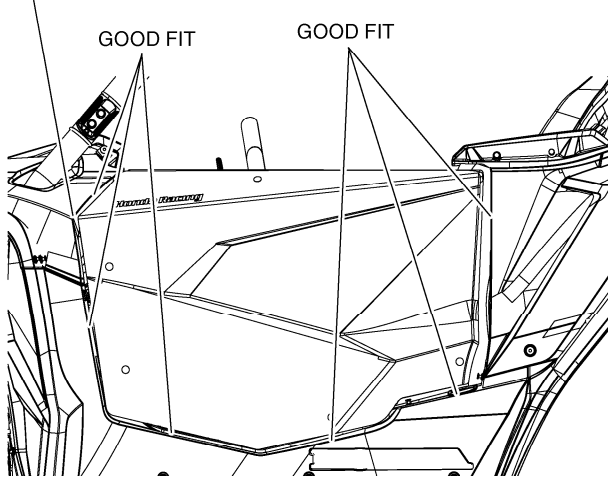
3. Loosely install the driver side Aluminum Door using a 5 x 16 mm button head bolt, washer and spring lock washer.



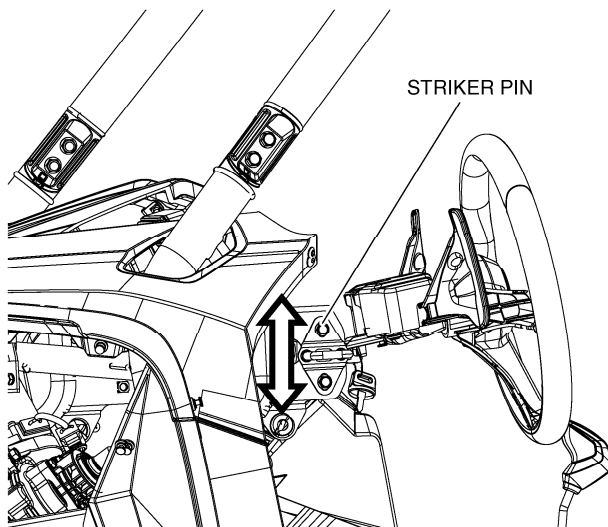
- Adjust the door up and down to get a good fit, making sure the front corner fits with original plastic.



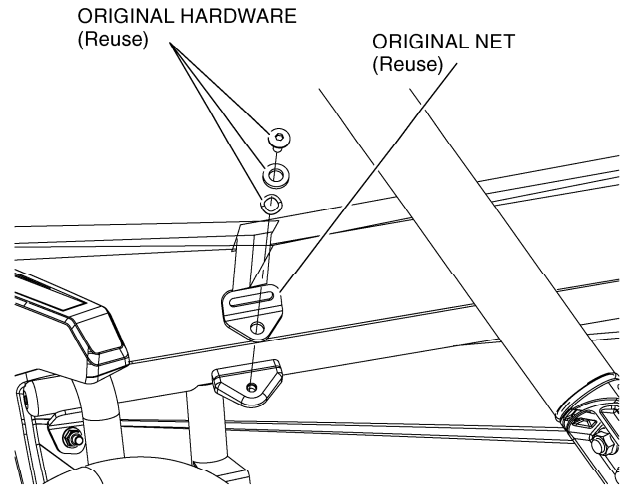
FRONT CORNER FIT



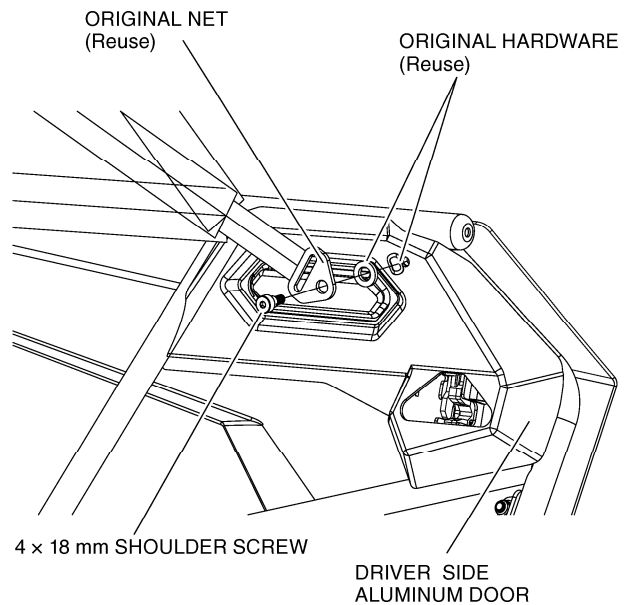
- Adjust the original striker pin up and down as needed to latch the door.



- Attach the original net at the rear bracket using a 5 mm original screw, original washer and original curved spring lock washer.



- Attach the net at the front bracket using a 4 x 18 mm shoulder screw, original washer, and original curved spring lock washer.



- Repeat step 1 through 7 on the passenger door.
- Tighten all bolts to the values specified in the TORQUE CHART.