



INSTALLATION INSTRUCTIONS

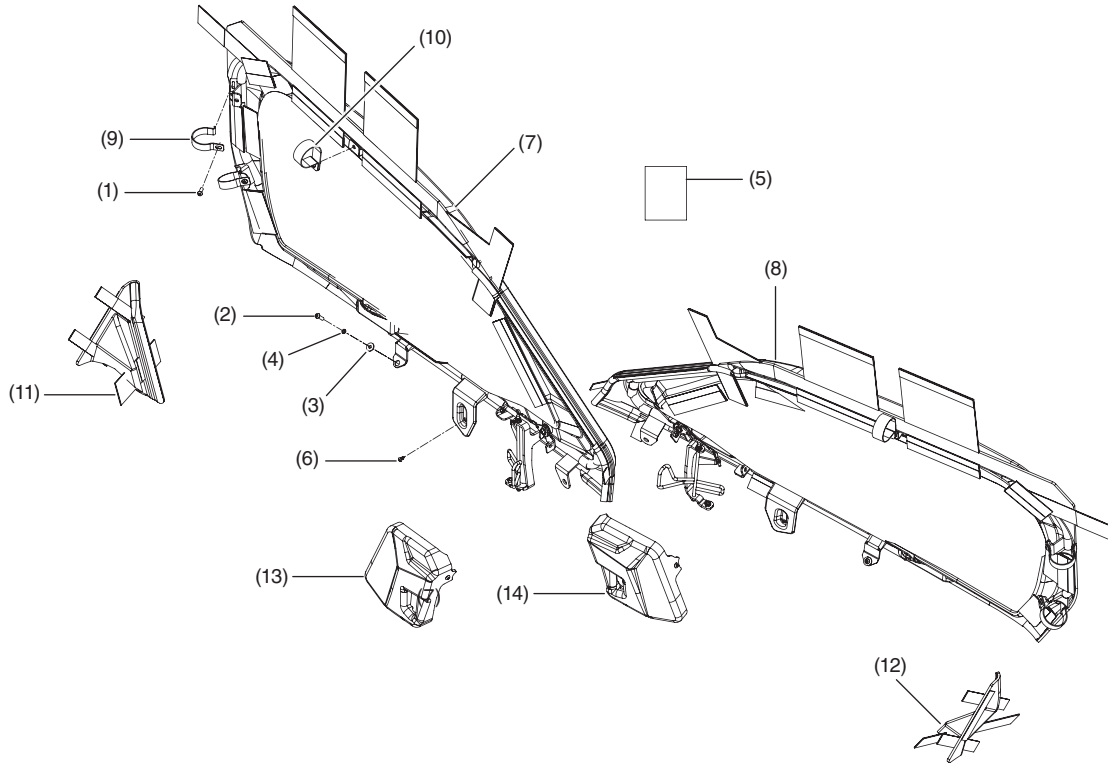
Accessory
FABRIC UPPER DOORS
 P/N OSR90-HL6-A00

Application
SXS1000S2X
SXS1000S2R

Publication No.
MII 16561
 Issue Date
March 2019

Honda Dealer: Please give a copy of these instructions to your customer.

PARTS LIST



No.	Description	Qty
(1)	4 x 16 mm button head screw	12
(2)	4 x 20 mm button head screw	2
(3)	Fender washer	2
(4)	Spring lock washer	2
(5)	Installation Instructions URL	1
(6)	Self-Tapping Phillips head screw	2
(7)	Driver side Upper Door	1
(8)	Passenger side Upper Door	1
(9)	C-Clamp	4
(10)	P-Clamp	2
(11)	Driver side Rear corner	1
(12)	Passenger side Rear corner	1
(13)	Driver side Handle cover	1
(14)	Passenger side Handle cover	1

TOOLS REQUIRED

- 4 mm Hex head socket
- 5 mm Hex head socket
- 6 mm Hex head socket
- Phillips screwdriver
- Two 7 mm open end wrenches
- 10 mm Socket
- Torque wrench

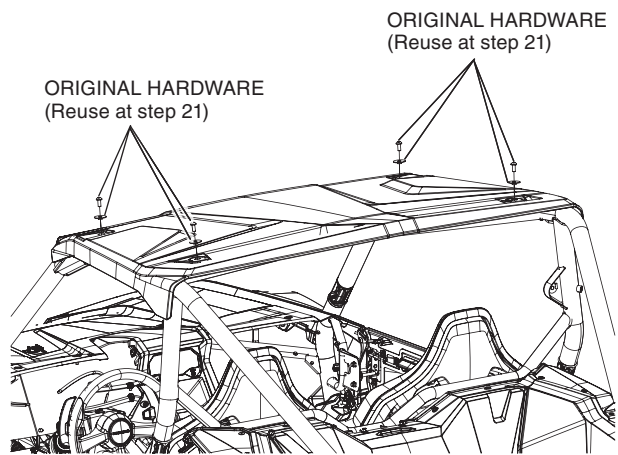
TORQUE CHART

Tighten all screws, bolts, and nuts to their specified torque values. Refer to the Service Manual for the torque values of the removed parts.

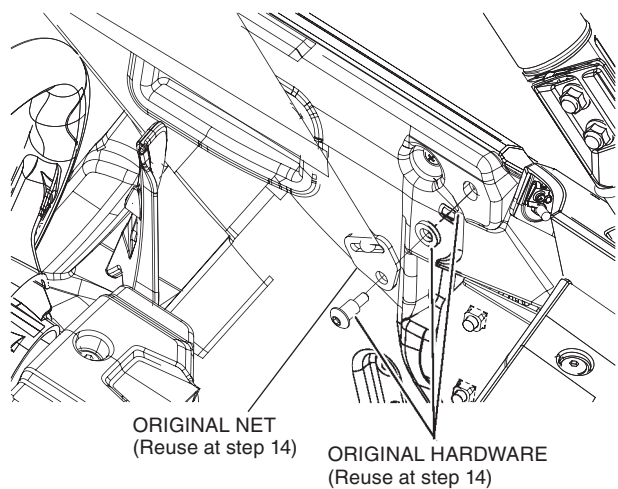
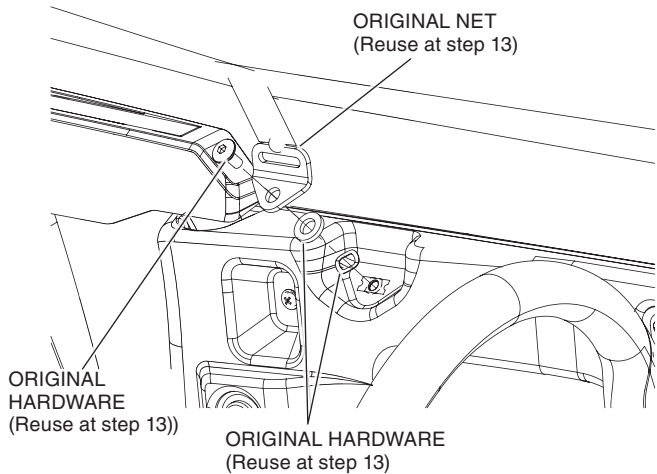
Item	N·m	kgf·m	lbf·ft
4 x 16 mm button head screw	11	1.1	8.5
4 x 20 mm button head screw	11	1.1	8.5
Self-Tapping Phillips head screw	1	0.1	0.8

INSTALLATION

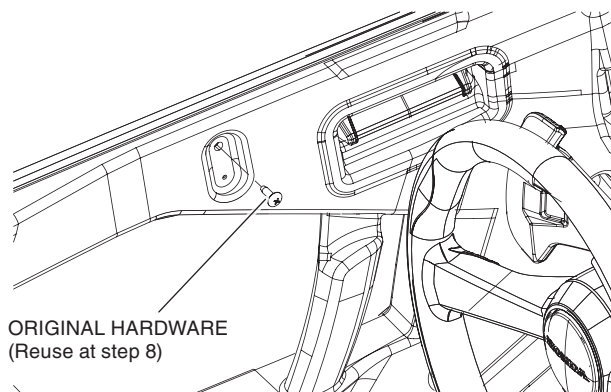
1. Remove original bolts and washers from roof.



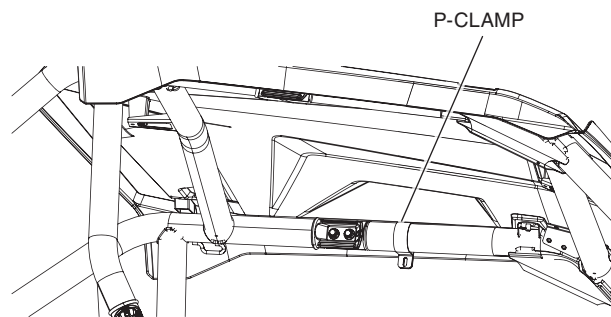
2. Remove original net attachment from driver side door.



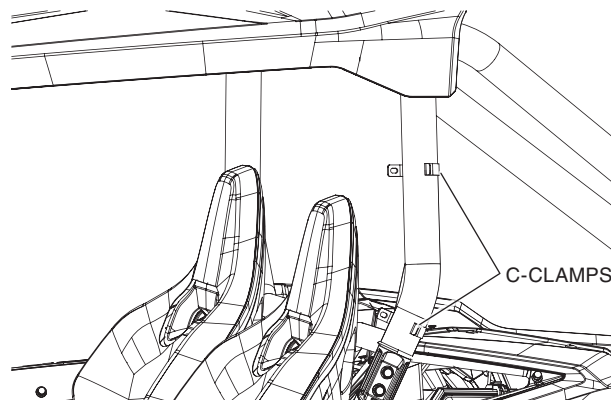
3. Remove original hardware from door.



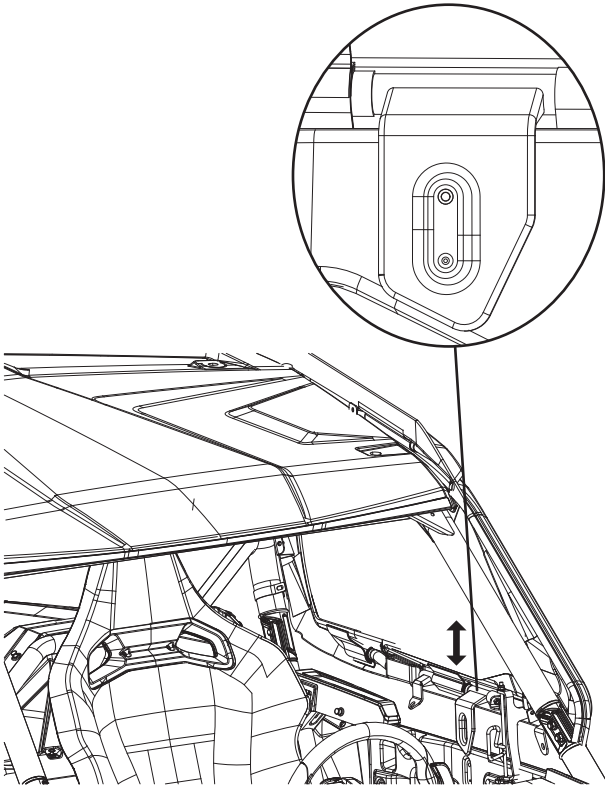
4. Install a P-clamp on the top driver side OPS bar (as shown).



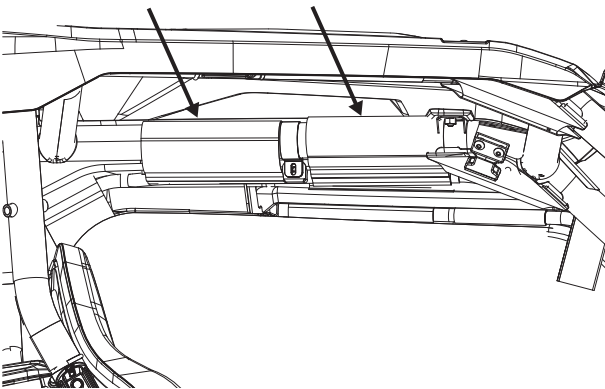
5. Install two C-clamps on the vertical OPS tube (as shown).



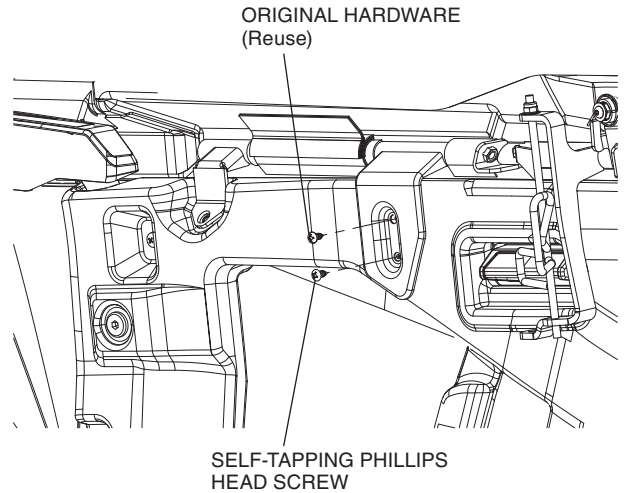
- Place the Fabric Upper Door on the original door making sure the top section is under the original roof. Make sure the holes are lined up.



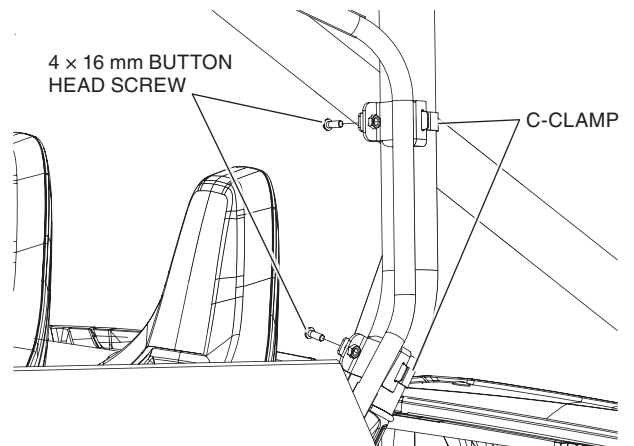
- Wrap the two upper straps on the Fabric Upper Door around the top OPS bar. Position one strap on each side of the previously installed P-Clamp (as shown).



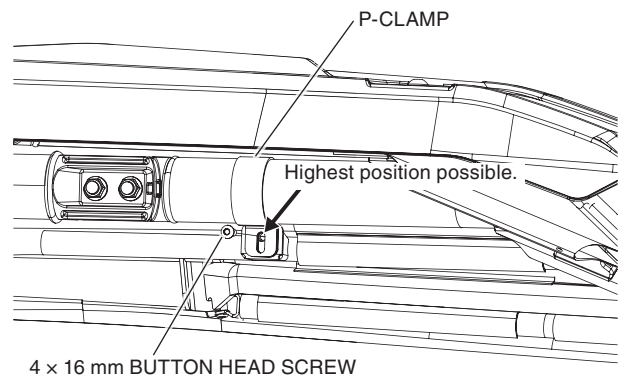
- Use a self-tapping phillips head screw and the original bolt to secure the bracket on the Fabric Upper Door to the original door and tighten.



- Unzip the window. Install the driver side Fabric Upper Door on the C-clamp using two 4 x 16 mm button head screw. Do not tighten.

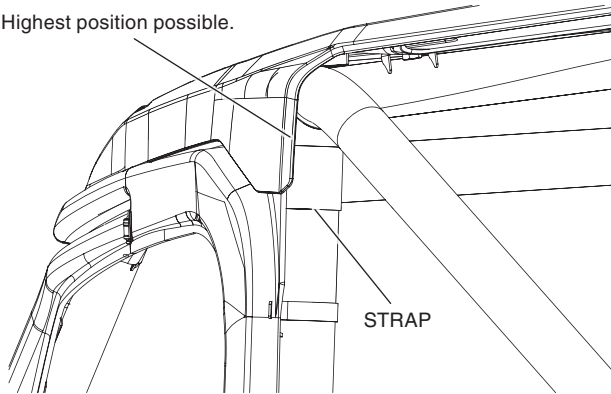


- Install the Fabric Upper Door on the P-clamp at the highest position possible then tighten.

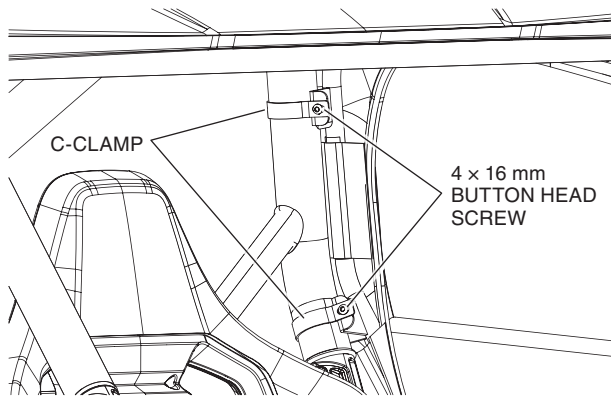


11. Wrap the upper strap on the Fabric Upper Door around the vertical OPS at the highest position possible then tighten.

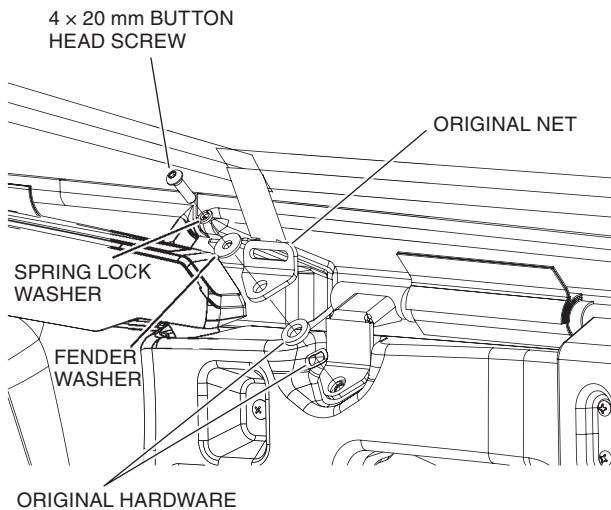
Highest position possible.



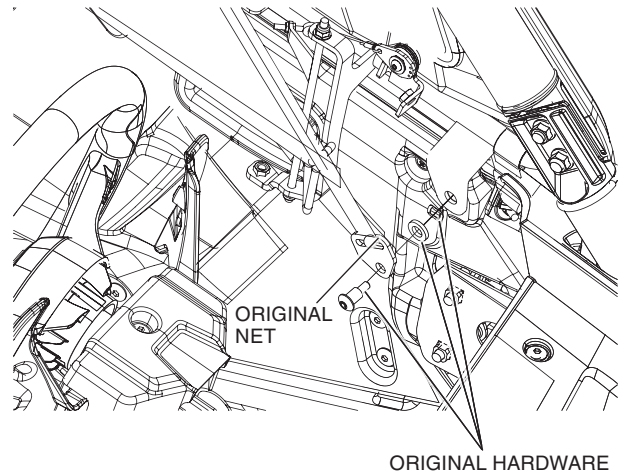
12. Tighten the previously installed hardware.



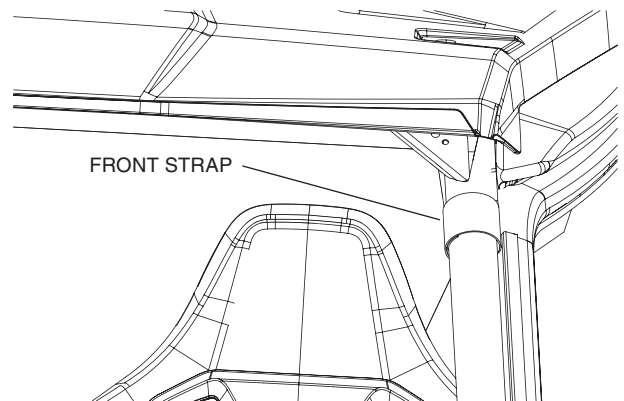
13. Install the original net on the door using the original hardware and a 4 x 20 mm button head screw, spring lock washer and fender washer (as shown).



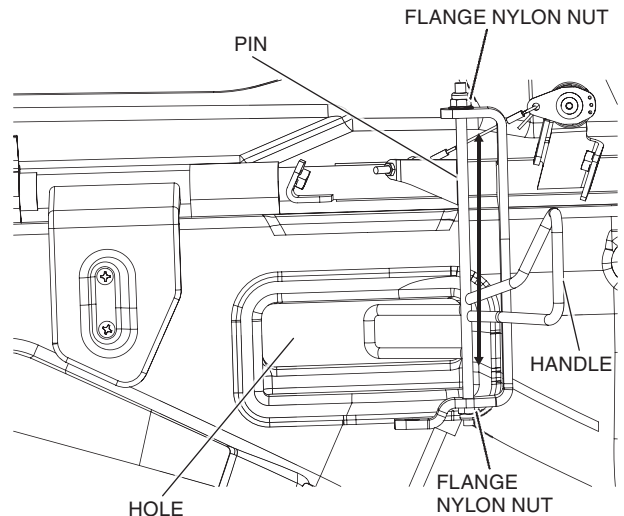
14. Install the original net on the door using the original hardware (as shown).



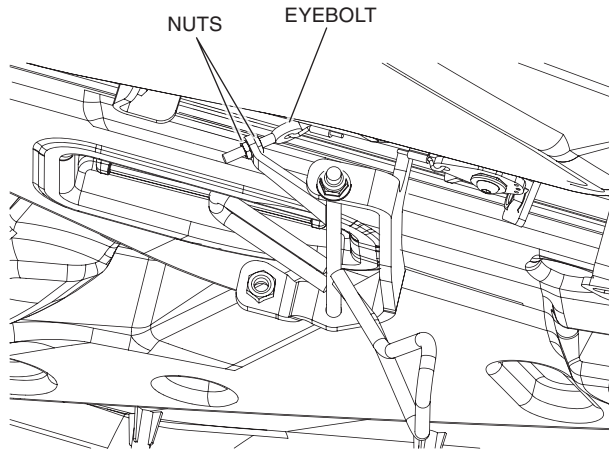
15. Wrap the front strap on the Fabric Upper Door around the front OPS tube then tighten.



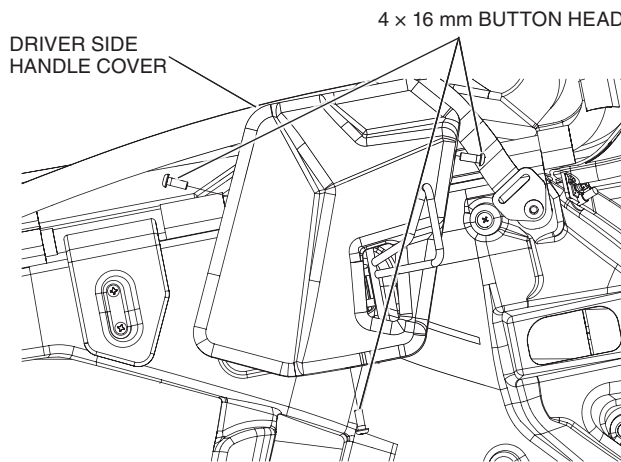
16. Position the handle so it fits and operates in the hole. Adjust the pin up and down using the two flange nylon nuts to achieve the best fit.



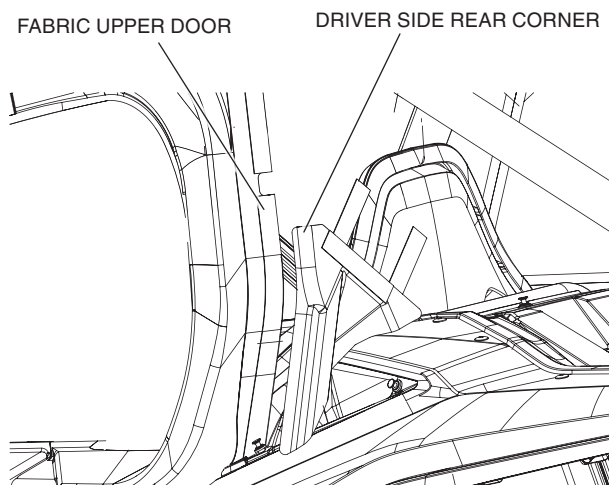
- Set the tension on the Fabric Upper Door by adjusting the 4 mm nuts on the eyebolt (as shown). Make sure the outside handle works properly.



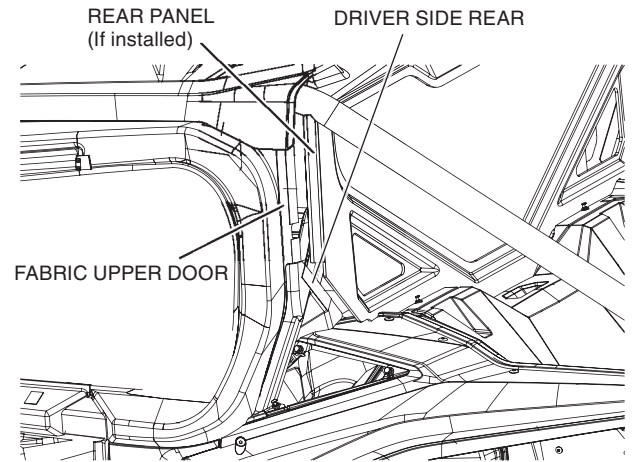
- Install the Driver Side Handle Cover using three 4 x 16 mm button head screws (as shown).



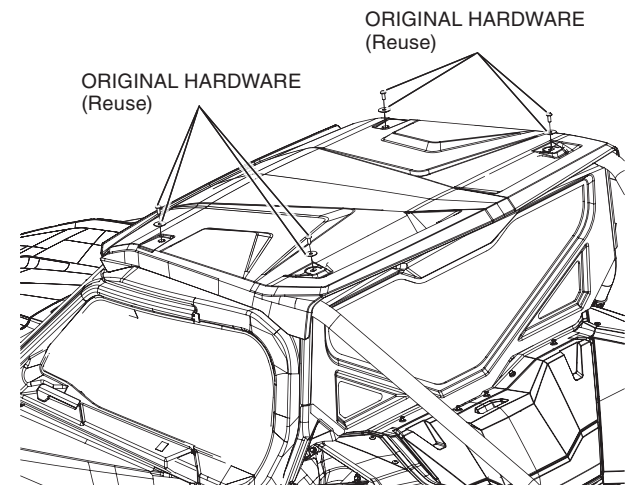
- Attach the Driver Side Rear Corner to the Fabric Upper Door using the hook and loop sections (as shown).



- Attach the Fabric Upper Door, the driver side rear corner, and the Rear Panel (if installed) using the hook and loop sections (as shown).



- Reinstall the roof using the original hardware.



- Adjust the previously installed straps on the OPS bars and those on the Fabric Upper Door steel frame as needed to achieve the best fit.
- Repeat step 1 through 22 on the passenger side door.
- Tighten all the bolts to the values specified in the TORQUE CHART.